

Digital Imaging and Communications in Medicine (DICOM)

Supplement 33: Grayscale Softcopy Presentation State Storage

This is a Frozen Draft for Demonstration. It has not been approved as a Standard and may undergo considerable revision before final approval. This document should not be construed as definitive for the content of a future DICOM standard, or that a DICOM standard on storage of presentation states will be approved.

DICOM Standards Committee, Working Group 11 Display

1300 N. 17th Street

Rosslyn, Virginia 22209 USA

VERSION: Revised Frozen Draft for Demonstration (Version 4718)

~~4 September~~ 13 November 1998

This is a draft document. Do not circulate, quote, or reproduce it except with the approval of NEMA

Please send comments to Dave Snaveley, NEMA (dav_snaveley@nema.org)

DOCUMENT HISTORY

Document Version	Date	Content
0.1	10 September 1997	First draft based on Sep 3-4 meeting
0.2	29 September 1997	Now Supplement 33
0.3	31 October 1997	Incorporate output of Oct 8-9 meeting
0.4	9 January 1998	<p>Incorporate output of January 8 meeting, including WG 6 comments from November.</p> <ul style="list-style-type: none"> - expand open issues (esp. for upcoming SPIE) - more notes on rationale throughout (to capture reasoning behind design decisions) - more work on text/graphics <ul style="list-style-type: none"> - add font - add anchor point - no SPLINE but add CIRCLE/ELLIPSE from SR - add Zoom/Pan to Rotation a.k.a. Spatial Transform - mandate some mask attribute requirements in PS module - add overlay/curve activation module
0.5	27 February 1998	<p>Incorporate output of SPIE meeting:</p> <ul style="list-style-type: none"> - reorder pipeline and qualify as conceptual - rendering layer for overlay/curve/text - redefine viewport as "displayed area" - replace VOI LUT to handle non-optional and segments - fix mask definitions - remove image selection criteria - clean up open issues for public comment - fill in data dictionary
0.6	13 March 1998	<p>Incorporate output of WG 11 t/con to prepare public comment text:</p> <ul style="list-style-type: none"> - numerous typographical changes - clarify some descriptions related to annotation and displayed area - clarify overlays in image or with presentation state - highlight open issues on vector graphics and segmented LUT for VOI LUT - emphasize that multi-byte character set text may be used

0.7	31 March 1998	<p>First round of WG 6 comments:</p> <ul style="list-style-type: none"> - don't reference series level since series may evolve - just reference list of images - add multi-frame graphics reference capability a la multi-frame overlay module - split axis units for bounding box, anchor point and graphics - clarify SCU/SCP expectations for annotation consistency compared with grayscale requirements - clarify sequence of application of LUTs ... qualify what "conceptual model" means - add conformance requirements for what image objects presentation state applies to <p>Add media support</p>
0.8 (PC)	2 April 1998	<p>Public Comment draft after final WG 6 review:</p> <ul style="list-style-type: none"> - add "grayscale" to name - extend open issues - add Presentation Series - add text about specialization of attributes in modules as per proposed CP 132 - remove multi-frame overlay module but keep ability to store (single-frame) overlays in presentation state or activate multi-frame overlays in image - update Referenced Frame Number conditions - specify anchor and bounding point VR - font characteristics now Enumerated Values - clarify Modality LUT vs. Attributes in image - add tags to Part 6
0.9	29 April 1998	<p>Incorporate comments and output of April 28/29 Mtg.</p> <ul style="list-style-type: none"> - close out all open issues - standard VOI LUT not segmented - define annotation rendering requirement more precisely - define sub-pixel PIXEL space units, always FL - remove font descriptors and graphic thickness - clarify text rendering description - clarify spatial transformation description wrt. Aspect ratio - clarify distinguishing graphic layers by order to allow grouping by layer with same order - add graphic layer description

0.10	30 June 1998	<p>Incorporate various comments and fix typos.</p> <p>Use Specified Display Area instead of viewport and clarify its definition and use.</p> <p>Tidy up VOI LUT, especially wrt. Single vs. multiple values and more output than just 8 or 16 bits.</p> <p>Add Bitmap Display Shutter mechanism.</p> <p>Separate Graphic and Text annotation objects to allow grouping.</p> <p>Reorder transformation definition sections to correspond to pipeline diagram.</p> <p>Clarify bit depth/range of P-Values for replacement values and output of Presentation LUT.</p>
0.11	1 July 1998	Accept revisions after WG 11 review
0.12	6 July 1998	Define precisely input/output space of LUTs and any implicit scaling (e.g. window center/width to P-Values).
0.13	16 July 1998	Revise window center/width definitions.
0.14	20 July 1998	Incorporate further comments on LUTs.
0.15	22 July 1998	<p>Revise after WG 11 t/con</p> <ul style="list-style-type: none"> - remove Polarity and clarify how pipeline overrides Photometric Interpretation - further refine LUT definitions - correct various typos
0.16	27 July 1998	<p>Add group/element tags and SOP Class UID</p> <p>More minor revisions and typos fixed (esp. with respect to "value mapped" in LUTs and removal of Polarity).</p>
0.17 (Frozen)	09 Sep 1998	<p>Frozen Draft for ECR 99 Demonstration</p> <ul style="list-style-type: none"> - split out Displayed Area Module, and specify requirements that it not be ignored - move SOP Class requirements from Annex B of Annex X - clarify that presentation only applies to those image storage SOP Classes specified in the Conformance Statement - rename Shutter Padding Value to Shutter Presentation Value - add Specific Character Set for each Text Object Item - clarify Presentation Creation Date/Time

<p><u>0.18 (Frozen)</u></p>	<p><u>13 November</u></p>	<p><u>Minor revisions that need clarification for demonstration:</u></p> <ul style="list-style-type: none">- <u>add note that annotations may be outside shutter</u>- <u>Graphic Layer was defined twice - make it the same attribute in both the Graphic Annotation and Graphic Layer modules</u>- <u>Shutter Overlay Group added to dictionary (US, VM 1)</u>- <u>forbid multiple Modality LUTs</u>- <u>forbid both VOI LUT and WC/W in Presentation IOD</u>- <u>correct name of Shutter Presentation Value in C.7.6.11</u>- <u>LUT definitions changed to specify greater than <i>or equal</i> to number of entries etc.</u>- <u>add note that any shutter in the referenced image is ignored</u> <p><u>Open items to be fixed:</u></p> <ul style="list-style-type: none">- <u>the condition on Graphic Layer Sequence is redundant with that of the Graphic Layer Module ... it should be a Type 1</u>- <u>Retrieve AE Title and Media ID/UID should be added to Referenced Series Sequence in Presentation State Module.</u>
-----------------------------	---------------------------	---

TABLE OF CONTENTS

TABLE OF CONTENTS.....	viv
Foreword.....	viv
Scope and Field of Application.....	viii
A.X GRAYSCALE SOFTCOPY PRESENTATION STATE INFORMATION OBJECT DEFINITION.....	5
A.X.1 Grayscale Softcopy Presentation State IOD Description.....	5
A.X.2 Grayscale Softcopy Presentation State IOD Module Table.....	5
C.10.4 Displayed Area Module.....	12
C.10.5 Graphic Annotation Module.....	14
C.10.6 Spatial Transformation Module.....	21
C.10.7 Graphic Layer Module.....	21
C.11.1 Modality LUT module.....	22 23
C.11.2 VOI LUT module.....	25
C.11.4 Softcopy Presentation LUT Module.....	27
C.11.6 Overlay/Curve Activation Module.....	30
C.12.2 Presentation Series Module.....	31
C.12.3 Presentation State Module.....	32
F.5.19 Presentation State Directory Record Definition.....	37
Annex B STORAGE SERVICE CLASS (Normative).....	40 39
B.5 STANDARD SOP CLASSES.....	40
I.4 MEDIA STORAGE STANDARD SOP CLASSES.....	40
Annex X SOFTCOPY PRESENTATION STATE STORAGE SOP CLASS (Normative).....	41
X.1. OVERVIEW.....	41
X.1.1 SCOPE.....	41
X.2 GRAYSCALE TRANSFORMATION SEQUENCE.....	42
X.2.1 Modality LUT.....	43
X.2.2 Mask.....	43
X.2.3 VOI LUT.....	44
X.2.4 Presentation LUT.....	44
X.2.5 Shutter.....	45
X.2.6 Pre-Spatial Transformation Annotation.....	45
X.2.7 Spatial Transformation.....	45
X.2.8 Post-Spatial Transformation Annotation.....	46
X.3 BEHAVIOR OF AN SCP.....	46
X.4 CONFORMANCE.....	46
X.4.1 Conformance Statement for An SCU.....	46
X.4.2 Conformance Statement for An SCP.....	46
Part 6 Addendum : Grayscale Softcopy Presentation State Data Dictionary.....	49
Index of Attribute Tags and UIDs.....	51

Foreword

The American College of Radiology (ACR) and the National Electrical Manufacturers Association (NEMA) formed a joint committee to develop a standard for Digital Imaging and Communications in Medicine (DICOM). This DICOM Standard and the corresponding Supplements to the DICOM Standard were developed according to the NEMA procedures.

This Supplement to the Standard is developed in liaison with other standardization organizations including CEN TC251 in Europe and JIRA in Japan, with review also by other organizations including IEEE, HL7 and ANSI in the USA. This Supplement has been prepared by the DICOM Working Group 11 (Display).

The DICOM Standard is structured as a multi-part document using the guidelines established in the following document:

- ISO/IEC Directives, 1989 Part 3 : Drafting and Presentation of International Standards.

This document is a Supplement to the DICOM Standard. It is an extension to PS 3.3, 3.4 and 3.6 of the published DICOM Standard which consists of the following parts:

- PS 3.1 - Introduction and Overview
- PS 3.2 - Conformance
- PS 3.3 - Information Object Definitions
- PS 3.4 - Service Class Specifications
- PS 3.5 - Data Structures and Encoding
- PS 3.6 - Data Dictionary
- PS 3.7 - Message Exchange
- PS 3.8 - Network Communication Support for Message Exchange
- PS 3.9 - Point-to-Point Communication Support for Message Exchange
- PS 3.10 - Media Storage and File Format for Data Interchange
- PS 3.11 - Media Storage Application Profiles
- PS 3.12 - Media Formats and Physical Media for Data Interchange
- PS 3.13 - Print Management Point-to-Point Communication Support
- PS 3.14 - Grayscale Standard Display Function

These parts are related but independent documents.

This Supplement includes the definition of the Grayscale Softcopy Presentation State Information Object and the Grayscale Softcopy Presentation State Storage SOP Class.

Scope and Field of Application

This supplement describes the Grayscale Softcopy Presentation State Storage SOP Class and defines the extensions to the Storage Service Class that support the usage of this SOP Class.

The purpose of the Grayscale Softcopy Presentation State Storage SOP Class is to allow a DICOM application entity to specify how stored pixel data values in a composite image object are to be translated to presentation values, called P-Values, that are independent of device or manufacturer. The display device converts P-Values to luminance in the case of a soft-copy display.

Support of the Grayscale Softcopy Presentation State Storage SOP Class requires that the display device support a specified Grayscale Standard Display Function that defines a linearly perceived response, as defined by the Grayscale Standard Display Function in PS 3.14.

In addition, the Grayscale Softcopy Presentation State Storage SOP Class facilitates separation of and updating of image display characteristics from stored image object instances.

The Grayscale Softcopy Presentation State Storage SOP Class is defined as a Composite object using the existing Storage Service Class. This allows presentation states to be stored and retrieved in a manner similar to Composite Image objects. Instances of the Presentation State Storage SOP Class are stored within the same study as the image objects to which they apply.

A SOP Class is defined that consolidates existing grayscale transformations as already defined in Composite Image objects, and specifies stringent requirements on how a display SCP shall render them.

The SOP Class also defines minimal extensions to allow rotation, zooming and panning, and annotation with vector graphics and plain text. The requirements for an SCP to be able to render these annotations are less stringent than the requirements to replicate the grayscale transformations, in recognition of the fact that a similar meaning may be adequately conveyed without constraining an implementation to an unrealistic extent. In particular, though text and graphics are required to be rendered, the font, style and color or grayscale value are only recommended, not required.

The images to which a presentation state apply must be part of the same study as the stored presentation state. Images may be selected individually or as a list of images. They may or may not all be from one series.

This supplement specifically does not support the specification of the layout of images on a screen nor the specification of the number of display pixels to be used to display the selected area of an image data array. A future supplement may do so, but at the present time DICOM only defines the use of a conventional "screen save" to generate a secondary capture image that captures intended grayscale transformations as well as window layout and annotation.

This supplement does not support storing the state of color images. It may do so in future, particularly if a Color Display Function Standard is defined for DICOM, using for instance, the CIE LAB space.

This supplement does not address more complex presentation related issues that imply advanced display application functionality. A future supplement or efforts by other Working Groups may cover:

- image processing
- image segmentation
- image registration and fusion
- 3D display, surfaces representation, and rendering
- cine and time based presentation of multi-frame images, including preferred frame rate (beyond the mask subtraction that is defined in this supplement)
- query of Display Device characteristics (perhaps using SNMP)
- advanced graphic annotation including complex objects that may be edited

Since this document proposes changes to existing Parts of DICOM the reader should have a working understanding of the Standard. This proposed Supplement includes a number of Addenda to existing Parts of DICOM :

- PS 3.3 Addendum : Grayscale Softcopy Presentation State Information Object Definitions
- PS 3.4 Addendum : Grayscale Softcopy Presentation State Storage SOP Class
- PS 3.6 Addendum : Grayscale Softcopy Presentation State Data Dictionary

Changes to:

NEMA Standards Publication PS 3.3-1996

Digital Imaging and Communications in Medicine (DICOM)

Part 3: Information Object Definitions

Item: Add to PS 3.3 Table A.1-1

**Table A.1-1
COMPOSITE INFORMATION OBJECT MODULES OVERVIEW**

IODs Modules	<u>Presentation State</u>
Patient	<u>M</u>
Patient Summary	
General Study	<u>M</u>
Patient study	<u>U</u>
Study Content	
General Series	<u>M</u>
CR Series	
NM Series	
<u>Presentation Series</u>	<u>M</u>
Frame Of Reference	
U S Frame of Ref.	
General Equipment	<u>M</u>
SCEquipment	
General Image	
Image Plane	
Image Pixel	
NM Image Pixel	
Palette Color Lookup Table	
Contrast/ Bolus	
Cine	
Multi-frame	
NM Multi-frame	
Frame Pointers	
Mask	<u>C</u>
Display Shutter	<u>C</u>
<u>Bitmap Display Shutter</u>	<u>C</u>

Device	
Therapy	
CR Image	
CT Image	
MR Image	
NM Image	
NM Isotope	
NM Detector	
NM TOMO Acquisition	
NM Multi-Gated Acquisition	
NM Phase	
NM Reconstruction	
US Region Calibration	
US Image	
SC Image	
X-Ray Image	
X-Ray Acquisition	
X-Ray Collimator	
X-Ray Table	
XRF Positioner	
XRF Tomo Acquisition	
XA Positioner	
Bi-Plane Sequence	
Bi-Plane Image	
Overlay Identification	
Overlay Plane	<u>C</u>
Multi-frame Overlay	
Bi-Plane Overlay	
Curve Identification	

Curve	
Audio	
<u>Displayed Area</u>	<u>M</u>
<u>Overlay/Curve Activation</u>	<u>C</u>
<u>Graphic Annotation</u>	<u>C</u>
<u>Spatial Transformation</u>	<u>C</u>
<u>Graphic Layer</u>	<u>C</u>
Modality LUT	<u>C</u>
VOI LUT	<u>C</u>
Softcopy Presentation LUT	<u>M</u>
LUT Identification	
<u>Presentation State</u>	<u>M</u>
SOP Common	<u>M</u>

<i>Item: Add to PS 3.3 new Section A.X</i>
--

**A.X GRAYSCALE SOFTCOPY PRESENTATION STATE INFORMATION
OBJECT DEFINITION**

A.X.1 Grayscale Softcopy Presentation State IOD Description

A.X.2 Grayscale Softcopy Presentation State IOD Module Table

**Table A.X-1
Grayscale Softcopy Presentation State IOD MODULES**

IE	Module	Reference	Usage
Patient	Patient	C.7.1.1	M
Study	General Study	C.7.2.1	M
	Patient Study	C.7.2.2	U
Series	General Series	C.7.3.1	M
	Presentation Series	C.12.2	M
Equipment	General Equipment	C.7.5.1	M
Presentation	Presentation State	C.12.3	M
	Mask	C.7.6.10	C - Required if the referenced image(s) are multi-frame and are to be subtracted
	Display Shutter	C.7.6.11	C - Required if Display Shutter is to be applied to referenced image(s) and the Bitmap Display Shutter Module is not present
	Bitmap Display Shutter	C.7.6.14	C - Required if a Display Shutter is to be applied to referenced image(s) and the Display Shutter Module is not present
	Overlay Plane	C.9.2	C - Required if Overlay is to be applied to referenced image(s) or the Bitmap Display Shutter Module is present
	Overlay/Curve Activation	C.11.6	C- Required if referenced image contains curve or overlay data which is to be displayed
	Displayed Area	C.10.4	M
	Graphic Annotation	C.10.5	C - Required if Graphic Annotation is to be applied to referenced image(s)

Spatial Transformation	C.10.6	C - Required if rotation, flipping or magnification are to be applied to referenced image(s)
Graphic Layer	C.10.7	C - Required if Graphic Annotation or Overlays or Curves are to be applied to referenced image(s)
Modality LUT	C.11.1	C - Required if a Modality LUT is to be applied to referenced image(s)
VOI LUT	C.11.2	C - Required if a VOI LUT is to be applied to referenced image(s)
Softcopy Presentation LUT	C.11.4	M
SOP Common	C.12.1	M

In the Grayscale Softcopy Presentation State IOD, the Presentation Series Module specializes some Attributes of the General Series Module, and the Presentation State Module specializes some Attributes of the Mask and Display Shutter Modules.

- Notes:
1. Subtraction between different images is not supported.
 2. The Mask Module condition implies that it need not be supported by an SCP that supports only single frame image storage SOP Classes.
 3. The Display Shutter may be used to darken image areas that surround important information and exclude extraneous bright areas that increase glare and ambient lighting impairing image interpretation. For example, unexposed areas in a CR image might be obscured using the Display Shutter, rather than permanently replacing image pixels in those areas.
 4. This IOD doesn't support the storage of a multi-frame overlay in the IOD itself, but does support selective activation of multi-frame overlays within the referenced images via the Overlay/Curve Activation Module.

Item: Add to PS 3.3 Section C.7.3.1 new Modality Defined Term

C.7.3.1.1 General Series Attribute Descriptions

C.7.3.1.1.1 Modality

Defined Terms for the Modality (0008,0060) are:

CR = Computed Radiography	CT = Computed Tomography
MR = Magnetic Resonance	NM = Nuclear Medicine
US = Ultrasound	OT = Other
AS = Angioscopy	BI = Biomagnetic imaging
CD = Color flow Doppler	CP = Culposcopy
CS = Cystoscopy	DD = Duplex Doppler
DG = Diaphanography	DM = Digital microscopy
EC = Echocardiography	ES = Endoscopy
FA = Fluorescein angiography	FS = Fundoscopy
LP = Laparoscopy	LS = Laser surface scan
MA = Magnetic resonance angiography	MS = Magnetic resonance spectroscopy
PT = Positron emission tomography (PET)	RG = Radiographic imaging (conventional film/screen)
ST = Single-photon emission computed tomography (SPECT)	TG = Thermography
XA = X-Ray Angiography	RF = Radio Fluoroscopy
RTIMAGE = Radiotherapy Image	RTDOSE = Radiotherapy Dose
RTSTRUCT = Radiotherapy Structure Set	RTPLAN = Radiotherapy Plan
HC = Hard Copy	<u>PR = Presentation State</u>

Item: PS 3.3 Section C.7.6.10 Mask Module is amended to correct some typographic errors

C.7.6.10 Mask Module

Table C.7-16 specifies the Attributes that describe mask operations for a Multi-frame image.

**Table C.7-16
MASK MODULE ATTRIBUTES**

Attribute Name	Tag	Type	Attribute Description
Mask Subtraction Sequence	(0028,6100)	1	Defines a sequence which describes mask subtraction operations for a Multi-frame Image.
>Mask Operation	(0028,6101)	1	Defined Term identifying the type of mask operation to be performed. See C.7.6.10.1 for further explanation.

>Applicable Frame Range	(0028,6102)	3	Each pair of numbers in this multi-valued attribute specify a beginning and ending frame number inclusive of a range where this particular mask operation is valid. Discontinuous ranges are represented by multiple pairs of numbers. Frames in a Multi-frame Images are specified by sequentially increasing number values beginning with 1. If this Attribute is missing in this particular sequence item, then the mask operation is applicable throughout the entire Multi-frame image, subject to certain limits as described in C.7.6.10.1.1.
>Mask Frame Numbers	(0028,6110)	1C	Specifies the frame numbers of the pixel data used to generate this mask. Frames in a Multi-frame image are specified by sequentially increasing number values beginning with 1. Required if the Mask Operation (0028,6101) is AVG_SUB.
>Contrast Frame Averaging	(0028,6112)	3	Specifies the number of contrast frames to average together before performing the mask operation. If the Attribute is missing, no averaging is performed.
>Mask Sub-pixel Shift	(0028,6114)	3	A pair of floating point numbers specifying the fractional vertical [adjacent row spacing] and horizontal [adjacent column spacing] pixel shift applied to the mask before subtracting it from the contrast frame. See Section C.7.6.10.1.2.
>TID Offset	(0028,6120)	2C	Specifies the offset to be subtracted from the current frame number in order to locate the mask frame in TID mode. If omitted, TID Offset defaults to 1. Used when Mask Operation (0028,6101) is TID.
>Mask Operations Explanations	(0028,6190)	3	Free form explanation of this particular mask operation.
Recommended Viewing Mode	(0028,1090)	2	Specifies the recommended viewing protocol(s). Defined terms: SUB = for subtraction with mask images; NAT = native viewing of image as sent. Note: If an implementation does not recognize the defined term for Recommended Viewing Mode (0028,1090), reverting to native display mode is recommended.

Note: Frame numbers begin at 1.

C.7.6.10.1 Mask Subtraction Attribute Descriptions

C.7.6.10.1.1 Mask Operation

Mask Operation (0028,6100) specifies a type of mask operation to be performed. The Defined Terms identifying the mask operation to be performed are as follows:

NONE (No Subtraction) No mask subtraction operation is specified;

AVG_SUB (Average Subtraction) The frames specified by the Mask Frame Numbers (0028,6110) are averaged together, shifted by the amount specified in the Mask Sub-pixel Shift (0028,6114), then subtracted from the contrast frames in the range specified in the Applicable Frame Range (0028,6102). Contrast Frame (0028,6112) number of frames starting with the current frame are averaged together before the subtraction. If the Applicable Frame Range is not present in this sequence item, the Applicable Frame Range is assumed to end at the last frame number of the image minus Contrast Frame Averaging (0028,6112) plus one;

TID (Time Interval Differencing) The mask for each frame within the Applicable Frame Range (0028,6102) is selected by subtracting TID Offset (0028,6120) from the respective frame number. If the Applicable Frame Range is not present in this sequence item, the Applicable Frame Range is assumed to be a range where TID offset subtracted from any frame number with the range results in a valid frame number within the Multi-frame image.

C.7.6.10.1.2 Mask Sub-pixel Shift

A pair of floating point numbers specifying the fractional pixel shift specifying the fractional vertical [adjacent row spacing] and horizontal [adjacent column spacing] pixel shift applied to the mask before subtracting it from the contrast frame. The row offset results in a shift of the pixels along the column axis. The column offset results in a shift of the pixels along the row axis. A positive row offset is a shift towards the pixels of the lower row of the pixel plane. A positive column offset is a shift towards the pixels of the left hand side column of the pixel plane.

Item: Amend PS 3.3 Section C.7.6.11 Display Shutter Module

C.7.6.11 Display Shutter Module

The Display shutter is a geometric mask which may be applied on the image for presentation purposes in order to neutralize the display of any of the pixels located outside of the shutter shape. Geometry of the shutter is specified with respect to a row and column coordinate system where the origin is the upper left hand pixel. This origin is specified by the values 1,1 for row/column. A row coordinate represents a number of row spacing (vertical) and a column coordinate represents a column spacing (horizontal). Up to three different shutter shapes may be used and superimposed.

The manner in which the display area is neutralized (black-out, gray, or other means) is beyond the scope of this Standard **defined by the Attribute Shutter ~~Padding~~ Presentation Value (0018,1622), or undefined if this Attribute is absent.**

Table C.7-17
DISPLAY SHUTTER MODULE ATTRIBUTES

Attribute Name	Tag	Type	Attribute Description
Shutter Shape	(0018,1600)	1	Shape(s) of the shutter defined for display. Enumerated Values are: RECTANGULAR CIRCULAR POLYGONAL This multi-valued Attribute shall contain at most one of each Enumerated Value.
Shutter Left Vertical Edge	(0018,1602)	1C	Required if Shutter Shape (0018,1600) is RECTANGULAR. Location of the left edge of the rectangular shutter with respect to pixels in the image given as column.
Shutter Right Vertical Edge	(0018,1604)	1C	Required if Shutter Shape (0018,1500) is RECTANGULAR. Location of the right edge of the rectangular shutter with respect to pixels in the image given as column.
Shutter Upper Horizontal Edge	(0018,1606)	1C	Required if Shutter Shape (0018,1500) is RECTANGULAR. Location of the upper edge of the rectangular shutter with respect to pixels in the image given as row.
Shutter Lower Horizontal Edge	(0018,1608)	1C	Required if Shutter Shape (0018,1500) is RECTANGULAR. Location of the lower edge of the rectangular shutter with respect to pixels in the image given as row.
Center of Circular Shutter	(0018,1610)	1C	Required if Shutter Shape (0018,1500) is CIRCULAR. Location of the center of the circular shutter with respect to pixels in the image given as row and column.
Radius of Circular Shutter	(0018,1612)	1C	Required if Shutter Shape (0018,1500) is CIRCULAR. Radius of the circular shutter with respect to pixels in the image given as a number of pixels along the row direction.
Vertices of the Polygonal Shutter	(0018,1620)	1C	Required if Shutter Shape (0018,1600) is POLYGONAL. Multiple Values where the first set of two values are: row of the origin vertex column of the origin vertex Two or more pairs of values follow and are the row and column coordinates of the other vertices of the polygon shutter. Polygon shutters are implicitly closed from the last vertex to the origin vertex are and shall be non-intersecting polygons.

<p>Shutter Presentation Value</p>	<p>(0018,1622)</p>	<p>3</p>	<p>The value used to replace those parts of the image occluded by the shutter, in P-Values, up to a maximum of FFFFH.</p> <p>Note: The maximum P-Value for this Attribute may be different from the maximum P-Value from the output of the Presentation LUT, which may be less than 16 bits in depth.</p>
--	---------------------------	-----------------	---

Item: Add new PS 3.3 Section C.7.6.14 Bitmap Display Shutter Module

C.7.6.14 Bitmap Display Shutter Module

The Bitmap Display Shutter is a bitmap that defines an arbitrary shape which may be applied on the image for presentation purposes in order to neutralize the display of any of the pixels defined in the bitmap.

The manner in which the display area is neutralized (black-out, gray, or other means) is defined by the Attribute Shutter Presentation Value (0018,1622).

The bitmap is specified as a reference to an instance of the Overlay Plane Module C.9.2. The referenced Overlay is specialized such that:

- Overlay Type (60xx,0040) shall be "G",
- Overlay Bits Allocated (60xx,0100) shall be 1,
- Overlay Bit Position (60xx,0102) shall be 0 and
- Overlay Origin (60xx,0050) shall be 1\1.

Overlay Rows (60xx,0010) and Overlay Columns (60xx,0011) shall be the same as Rows (0028,0010) and Columns (0028,0011) in the image respectively.

A value of 1 in the Overlay Data (60xx,3000) shall indicate a pixel to which the shutter is applied, i.e. replaced with Shutter Presentation Value (0018,1622).

The Overlay specified in this Attribute shall not be activated (used as a conventional overlay) by the Overlay/Curve Activation Module C.11.6.

Table C.7-xx
BITMAP DISPLAY SHUTTER MODULE ATTRIBUTES

Attribute Name	Tag	Type	Attribute Description
Shutter Shape	(0018,1600)	1	Shape of the shutter defined for display. Enumerated Values are: BITMAP This Attribute shall contain one Value.
Shutter Overlay Group	(0018,1623)	1	Specifies the Group (60xx) of an Overlay stored within the Presentation State IOD that contains the bitmap data, as defined in the Overlay Plane Module C.9.2.
Shutter Presentation Value	(0018,1622)	1	The value used to replace those parts of the image occluded by the shutter, in P-Values, up to a maximum of FFFFH. Note: The maximum P-Value for this Attribute may be different from the maximum P-Value from the output of the Presentation LUT, which may be less than 16 bits in depth.

Item: Add to PS 3.3 new Section C.10.4

C.10.4 Displayed Area Module

This Module defines Attributes required to define a Specified Displayed Area space.

The Specified Displayed Area is that portion of the image displayed on the device after the selection of pixels and transformations specified in the Spatial Transformation Module C.10.6 have been applied. The specified area shall be displayed as large as possible within the available area on the display or window, i.e. magnified if necessary to fit the display or window space available.

The actual area rendered on another display device may be greater than the Specified Display Area, if the ratio of rows and columns of the Specified Display Area differs from the ratio of rows and columns of the display device or window. The Displayed Area relative annotations specified in C.10.5 Graphic Annotation Module are rendered relative to the Specified Displayed Area, not the actual rendered displayed area.

Note: The intent of these requirements is that a display SCP should not ignore the Specified Display Area and simply display the entire image ignoring the Displayed Area Module.

This Module does not specify any mechanism to change the aspect ratio as stored in the image pixel data. The displayed image shall have the same aspect ratio as specified in the referenced image, either as defined in Pixel Aspect Ratio (0028,0034), if present in the referenced image, otherwise 1:1.

Table C.10-4
DISPLAYED AREA MODULE ATTRIBUTES

Attribute Name	Tag	Type	Attribute Description
Displayed Area TLHC	(0070,0050)	1	The top left hand corner of the image pixel data displayed, given as column and row. Column is the horizontal offset (X) and row is the vertical offset (Y) relative to the top left hand corner of the pixel data which is 1\1.
Displayed Area BRHC	(0070,0051)	1	The bottom right hand corner of the image pixel data displayed, given as column and row. Column is the horizontal offset (X) and row is the vertical offset (Y) relative to the top left hand corner of the pixel data which is 1\1.

- Notes:
1. The Displayed Area TLHC and BRHC have the effect of defining how any zoom or magnification and/or pan has been applied to select a region of an image to be displayed (the Specified Displayed Area), without assuming anything about the size of the actual display.
 2. The TLHC and BRHC may be outside the boundaries of the image pixel data (e.g. the TLHC may be 0 or negative, or the BRHC may be greater than Rows or Columns), allowing minification or placement of the image pixel data within a larger Specified Displayed Area. There is no provision to position a zoomed selected sub-area of the image pixel data within a larger Specified Displayed Area.

Item: Add to PS 3.3 new Section C.10.5

C.10.5 Graphic Annotation Module

This Module defines Attributes of vector graphic curves and text annotation that shall be made available by a display device to be applied to an image. The curves and text are defined in position and size relative to the image pixel coordinates or the Specified Displayed Area space (defined in C.10.4 Displayed Area Module). A Graphic Annotation shall be related to an Image.

Note: This Module uses a Sequence of Items rather than a Repeating Group (such as the Curve Repeating Group) to avoid limiting the maximum number of annotation items that may be present. The use of a Repeating Group would limit the number of items to 15. The use of Repeating Groups is also noted in PS 3.5 to be deprecated.

**Table C.10-5
GRAPHIC ANNOTATION MODULE ATTRIBUTES**

Attribute Name	Tag	Type	Attribute Description
Graphic Annotation Sequence	(0070,0001)	2	A sequence of Items each of which represents a group of annotations composed of graphics or text or both. There is no limit on the number of Items that may be present.
>Referenced Frame Number	(0008,1160)	1C	Identifies the frame numbers within the referenced SOP Instance to which this group of annotations applies. Required if sequence item is present and the referenced image is a multi-frame image and the presentation does not apply to all frames.
>Graphic Layer	(0070,0002)	1	The layer defined in the Graphic Layer Module C.10.6 in which the graphics or text is to be rendered.
>Text Object Sequence	(0070,0008)	1C	Sequence that describes a text annotation. One or more Items may be present. Either one or both of Text Object Sequence (0070,0008) or Graphic Object Sequence (0070,0009) are required if the Sequence Item is present.

>>Specific Character Set	(0008,0005)	1C	<p>Character Set that expands or replaces the Basic Graphic Set used for the value of Unformatted Text Value (0070,0006) in this Item.</p> <p>Required if a Sequence Item is present and an expanded or replacement character set is used and Specific Character Set (0008,0005) is either not specified in the SOP Common Module or a different expanded or replacement character set than that specified in the SOP Common Module is used.</p>
>>Bounding Box Annotation Units	(0070,0003)	1C	<p>Units of measure for the axes of the text bounding box.</p> <p>Defines whether or not the annotation is Image or Displayed Area relative. Both dimensions shall have the same units.</p> <p>Enumerated Values:</p> <p>PIXEL = Image relative position specified with sub-pixel resolution such that the origin at the TLHC of the TLHC pixel is 0.0\0.0, the BRHC of the TLHC pixel is 1.0\1.0, and the BRHC of the BRHC pixel is Columns\Rows (see figure C.10.4-X). The values must be within the range 0\0 to Columns\Rows.</p> <p>DISPLAY = Fraction of Specified Displayed Area where 0.0\0.0 is the TLHC and 1.0\1.0 is the BRHC. The values must be within the range 0.0 to 1.0.</p> <p>Required if Bounding Box TLHC (0070,0010) or Bounding Box BRHC (0070,0011) are present.</p>
>>Anchor Point Annotation Units	(0070,0004)	1C	<p>Units of measure for the axes of the text anchor point annotation.</p> <p>Enumerated Values for Anchor Point Annotation Units (0070,0004) are the same as for Bounding Box Annotation Units (0070,0003).</p> <p>Required if Anchor Point (0070,0014) is present.</p>

>>Unformatted Text Value	(0070,0006)	1	<p>Text data which is unformatted and whose manner of display within the defined bounding box or relative to the specified anchor point is implementation dependent. See C.10.5.1.1.</p> <p>The text shall be interpreted as specified by Specific Character Set (0008,0005) if present within this Item or in the SOP Common Module.</p> <p>Note: This may be a Multi-byte Character Set.</p>
>>Bounding Box TLHC	(0070,0010)	1C	<p>Location of the top left hand corner of the bounding box in which Unformatted Text Value (0070,0010) is to be displayed, in Bounding Box Annotation Units (0070,0003), given as column and row . Column is the horizontal offset and row is the vertical offset.</p> <p>Required if Anchor Point (0070,0014) is not present.</p>
>>Bounding Box BRHC	(0070,0011)	1C	<p>Location of the bottom right hand corner of the bounding box in which Unformatted Text Value (0070,0006) is to be displayed, in Bounding Box Annotation Units (0070,0003), given as column and row . Column is the horizontal offset and row is the vertical offset.</p> <p>Required if Anchor Point (0070,0014) is not present.</p>
>>Anchor Point	(0070,0014)	1C	<p>Location of a point in the image or Specified Displayed Area to which the Unformatted Text Value (0070,0006) is related, in Anchor Point Annotation Units (0070,0004), given as column and row . Column is the horizontal offset and row is the vertical offset.</p> <p>Required if Bounding Box TLHC (0070,0010) and Bounding Box BRHC (0070,0011) are not present.</p> <p>May be present even if a bounding box is specified (i.e. Bounding Box TLHC (0070,0010) and Bounding Box BRHC (0070,0011) are present).</p>

>>Anchor Point Visibility	(0070,0015)	1C	<p>Flag to indicate whether or not a visible indication (such as a line or arrow) of the relationship between the text and the anchor point is to be displayed.</p> <p>Enumerated Values: Y = yes N = no</p> <p>Required if Anchor Point (0070,0014) is present.</p>
>Graphic Object Sequence	(0070,0009)	1C	<p>Sequence that describes a graphic annotation. One or more Items may be present.</p> <p>Either one or both of Text Object Sequence (0070,0008) or Graphic Object Sequence (0070,0009) are required if the Sequence Item is present.</p>
>>Graphic Annotation Units	(0070,0005)	1	<p>Units of measure for the axes of the graphic annotation.</p> <p>Enumerated Values for Graphic Annotation Units (0070,0005) are the same as for Bounding Box Annotation Units (0070,0003).</p>
>>Graphic Dimensions	(0070,0020)	1	Enumerated Value: 2
>>Number of Graphic Points	(0070,0021)	1	Number of data points in this graphic.
>> Graphic Data	(0070,0022)	1	<p>Coordinates that specify this graphic annotation .</p> <p>See C.10.5.1.2 for further explanation.</p>
>>Graphic Type	(0070,0023)	1	<p>The shape of graphic that is to be drawn. See C.10.5.1.2.</p> <p>Enumerated Values: POLYLINE INTERPOLATED CIRCLE ELLIPSE</p>

>>Graphic Filled	(0070,0024)	1C	<p>Whether or not the closed graphics element is displayed as filled (in some unspecified manner that shall be distinguishable from an outline) or as an outline. See C.10.5.1.2.</p> <p>Enumerated Values: Y = yes N = no</p> <p>Required if Graphic Data (0070,0022) is “closed”, that is Graphic Type (0070,0023) is CIRCLE or ELLIPSE, or Graphic Type (0070,0023) is POLYLINE or INTERPOLATED and the first data point is the same as the last data point.</p>
------------------	-------------	----	---

C.10.5.1 GRAPHIC ANNOTATION ATTRIBUTE DESCRIPTIONS

C.10.5.1.1 Unformatted Text Value

The text shall be displayed.

The text need not be confined to within the bounding box.

- Notes:
1. If necessary, an implementation may render text outside the confines of the bounding box if necessary to display all the specified text.
 2. Alternatively, an implementation may choose to render the text in a scrolling box, or a link to another fixed or popup window as appropriate.

Whether the contents of the bounding box completely opacity the underlying image or whether the box is “transparent” is undefined.

- Notes:
1. For example, an implementation may choose an “exclusive or” style opacification to be sure that the text is discernible over light and dark portions of the image.
 2. Commonly, the region of the bounding box around the text will be rendered “transparently”, i.e. the image will be visible, though some implementations may choose to opacity the bounding box behind the text to improve its readability.

An alternative to specifying a bounding box, is to specify an Anchor Point (0070,0014), i.e. some point in an image or Specified Displayed Area that is related to the text. The semantics of this relationship, and the manner of positioning or linking the text to this point, are unspecified.

- Notes:
1. For example, a description of a feature may be linked to a point in the image, and when that image is displayed, if it is magnified and panned, the rendered text (and any arrow or line drawn in response to Anchor Point Visibility (0070,0015)) might be repositioned as appropriate so as not be cropped out of the Specified Displayed Area.
 2. As another example, the text could be rendered in a pop-up window when a hypertext link flagged on the displayed image at the location of the Anchor Point (0070,0014) was selected.
 3. The bounding box and anchor point need not be defined with the same axis units, i.e. one can be image pixel relative, and the other displayed area relative.

The size, font and rotation of the rendered text are unspecified.

C.10.5.1.2 Graphic Data and Graphic Type

Graphic Data (0070,0022) contains the points in the graphic annotation, each dimension for the first point, followed by dimensions for second point, etc. For a two dimensional curve: X1,Y1,X2,Y2, etc. The first (X) dimension corresponds to the image or Specified Displayed Area column (horizontal offset), and the second (Y) dimension corresponds to the image or Specified Displayed Area row (vertical offset). The Value Representation of all components of the N-tuple shall be the same. The image or Specified Displayed Area relative drawing space is defined in Graphic Annotation Units (0070,0005).

If Graphic Type (0070,0023) is POLYLINE, then the points are to be interpreted as an n-tuple list of end points between which straight lines are to be drawn.

If Graphic Type (0070,0023) is INTERPOLATED, then the points are to be interpreted as an n-tuple list of end points between which some form of implementation dependent curved lines are to be drawn.

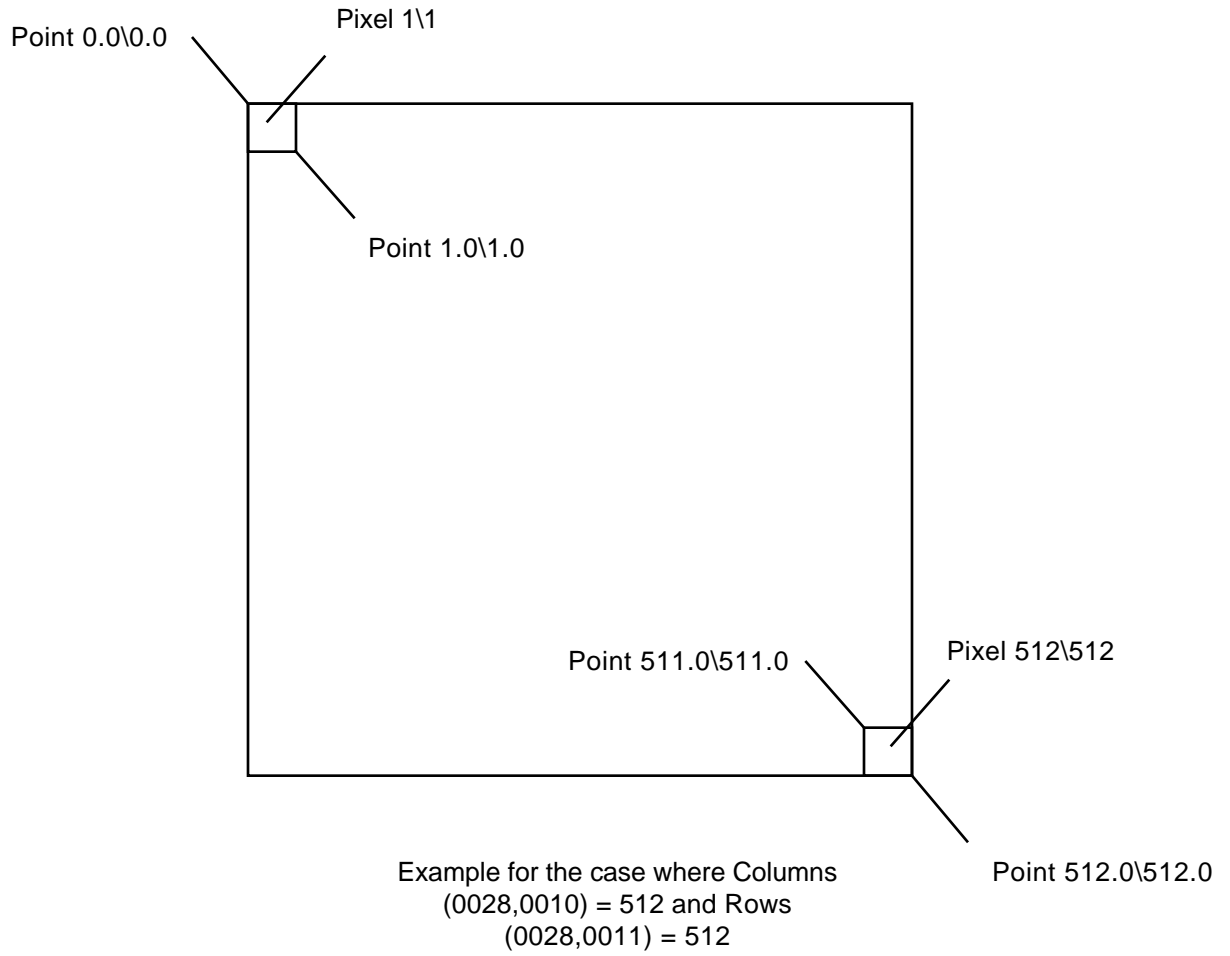
If Graphic Type (0070,0023) is CIRCLE, then exactly two points shall be present; the first point is to be interpreted as the center and the second point as a point on the circumference of a circle, some form of implementation dependent representation of which is to be drawn.

If Graphic Type (0070,0023) is ELLIPSE, then exactly four points shall be present; the first two points are to be interpreted as the endpoints of the major axis and the second two points as the endpoints of the minor axis of an ellipse, some form of implementation dependent representation of which is to be drawn.

The notion of “open” or “closed” has no inherent meaning in the context of an arbitrary graphic, other than in the condition for the presence of Graphic Filled (0070,0024). The graphic has no semantic notion of an associated observation such as a region of interest, except that which the unformatted text in the same Item may describe.

The choice of pixel value used to represent the graphic on a display is defined in the Graphic Layer Module C.10.7.

Figure C.10.5-1
Sub-pixel Addressing Units in PIXEL Space



Item: Add to PS 3.3 new Section C.10.6

C.10.6 Spatial Transformation Module

This Module defines a manner of rotating an image by increments of ninety degrees and flipping an image.

**Table C.10-6
SPATIAL TRANSFORMATION MODULE ATTRIBUTES**

Attribute Name	Tag	Type	Attribute Description
Image Rotation	(0070,0040)	1	How far to rotate the image clockwise in degrees, before any Image Horizontal Flip (0070,0041) or magnification is applied. Enumerated Values: 0, 90,180,270
Image Horizontal Flip	(0070,0041)	1	Whether or not to flip the image horizontally after any Image Rotation and before any magnification has been applied such that the left side of the image (first column) becomes the right side (last column). Enumerated Values: Y, N

Note: Given the definition of the Grayscale Transformation Sequence in PS 3.4, it is apparent that the rotation, flipping and magnification will be applied AFTER the application of any bit-mapped overlays or graphic annotations that are specified in the image pixel spaces, but BEFORE the application of graphic annotations that apply in the Specified Displayed Area relative space.

Item: Add to PS 3.3 new Section C.10.7

C.10.7 Graphic Layer Module

This Module defines the characteristics of the layers in which curves, overlays, graphic and text may be rendered.

Layers group together graphics which are related. It is recommended that a layer be displayed such that it may be distinguished from other layers that have a different value for Graphic Layer Order (0070,0062).

Note: The transparency, opacity, and any other interaction (such as exclusive or) with underlying layers or image data are not specified and are at the discretion of the implementation.

**Table C.10-7
GRAPHIC LAYER MODULE ATTRIBUTES**

Attribute Name	Tag	Type	Attribute Description
Graphic Layer Sequence	(0070,0060)	1C	A sequence of Items each of which represents a single layer in which overlays, curves, graphics or text may be rendered. Required if layers are referenced from the Graphic Annotation Module or the Overlay/Curve Activation Module. An Item is required for each referenced layer.
>Graphic Layer	(0070, 0064 002)	1	A string which identifies the layer.
>Graphic Layer Order	(0070,0062)	1	An integer indicating the order in which it is recommended that the layer be rendered, if the display is capable of distinguishing. Lower numbered layers are to be rendered first.
>Graphic Layer Recommended Display Value	(0070,0066)	3	A default single gray or triplet RGB unsigned value in which it is recommended that the layer be rendered. If a single gray value, the units are specified in P-Values up to a maximum of FFFFH. If a triplet RGB value, then the maximum intensity displayable is FFFFH\FFFFH\FFFFH. Note: The maximum P-Value for this Attribute may be different from the maximum P-Value from the output of the Presentation LUT, which may be less than 16 bits in depth.
>Graphic Layer Description	(0070,0068)	3	A free text description of the contents of this layer.

Item: Amend PS 3.3 C.11.1 Modality LUT

C.11.1 Modality LUT module

Table C.11-1 specifies the Attributes that describe the Modality LUT.

Either a Modality LUT Sequence containing a single Item or Rescale Slope and Intercept values shall be present but not both.

Note: This requirement for a single transformation only makes it possible to unambiguously define the input of succeeding stages of the grayscale pipeline such as the VOI LUT.

**Table C.11-1
MODALITY LUT MODULE ATTRIBUTES**

Attribute Name	Tag	Type	Attribute Description
Modality LUT Sequence	(0028,3000)	3	Defines a sequence of Modality LUTs. Only one Item may be present. Shall not be present if Rescale Intercept (0028,1052) is present.
>LUT Descriptor	(0028,3002)	1C	Specifies the format of the LUT Data in this Sequence. See C.11.1.1 for further explanation. Required if the Modality LUT Sequence (0028,3000) is sent.
>LUT Explanation	(0028,3003)	3	Free form text explanation of the meaning of the LUT.
>Modality LUT Type	(0028,3004)	1C	Specifies the output values of this Modality LUT. See C.11.1.1 for further explanation. Required if the Modality LUT Sequence (0028,3000) is sent.
>LUT Data	(0028,3006)	1C	LUT Data in this Sequence. Required if the Modality LUT Sequence (0028,3000) is sent.
Rescale Intercept	(0028,1052)	1C	The value b in relationship between stored values (SV) and the output units specified in Rescale Type (0028,1054). Output units = $m \cdot SV + b$. Required if Modality LUT Sequence (0028,3000) is not present. Shall not be present otherwise.
Rescale Slope	(0028,1053)	1C	m in the equation specified by Rescale Intercept (0028,1052). Required if Rescale Intercept is present.
Rescale Type	(0028,1054)	1C	Specifies the output units of Rescale Slope (0028,1053) and Rescale Intercept (0028,1052). Required if Rescale Intercept is present.

C.11.1.1 LUT Attribute Descriptions

C.11.1.1.1 LUT descriptor

The three values of the LUT Descriptor (0028,3002) describe the format of the LUT Data in the corresponding Data Element (0028,3006).

The first value is the number of entries in the lookup table.

The second value is the first stored pixel value mapped. **The Value Representation of the second value (US or SS) is specified by Pixel Representation (0028,0103).** This **stored** pixel value is mapped to the first entry in the LUT. All **image stored** pixel values less than the first **entry value mapped** are also mapped to the first entry in the LUT Data. An **image stored** pixel value one greater than the first **entry value mapped** is mapped to the second entry in the LUT Data. Subsequent **image stored** pixel values are mapped to the subsequent entries in the LUT Data up to an **image stored** pixel value equal to number of entries + first **entry value mapped** - 1 which is mapped to the last entry in the LUT Data. **Image Stored** pixel values greater than **or equal to** number of entries + first **entry value mapped** are also mapped to the last entry in the LUT Data.

The third value specifies the number of bits for each entry in the LUT Data. It shall take the value 8 or 16. The LUT Data shall be stored in a format equivalent to 8 or 16 bits allocated **and where the high bit is equal to 1**-bits allocated - 1.

The third value **also** conveys the range of LUT entry values. It shall take the value 8 or 16, corresponding with the LUT entry value range of 256 or 65536.

~~**Note: The third value is not required for describing the LUT data and is only included for informational usage and for maintaining compatibility with ACR-NEMA 2.0.**~~

The LUT Data contains the LUT entry values.

The output range of the Modality LUT Module depends on whether or not Rescale Slope and Rescale Intercept or the Modality LUT Sequence are used.

In the case where Rescale Slope and Rescale Intercept are used, the output ranges from (minimum pixel value*Rescale Slope+Rescale Intercept) to (maximum pixel value*Rescale Slope+Rescale Intercept), where the minimum and maximum pixel values are determined by Bits Stored and Pixel Representation.

Note: This range may be signed even if Pixel Representation is unsigned.

In the case where the Modality LUT Sequence is used, the output range is from 0 to 2^n-1 where n is the third value of LUT Descriptor. This range is always unsigned.

C.11.1.1.2 Modality LUT type

Specifies the units of the output of the Modality LUT.

Defined Terms:

OD = The number in the LUT represents thousands of optical density. That is, a value of 2140 represents an optical density of 2.140.

US = Unspecified

Other values are permitted, but are not defined by the DICOM Standard.

Item: Amend PS 3.3 C.11.2 Modality LUT

C.11.2 VOI LUT module

Table C.11-2 specifies the Attributes that describe the VOI LUT.

**Table C.11-2
VOI LUT MODULE ATTRIBUTES**

Attribute Name	Tag	Type	Attribute Description
VOI LUT Sequence	(0028,3010)	3	Defines a sequence of VOI LUTs.
>LUT Descriptor	(0028,3002)	1C	Specifies the format of the LUT Data in this Sequence. See C.11.1.1 C.11.2.1.1 for further explanation. Required if the VOI LUT Sequence (0028,3010) is sent.
>LUT Explanation	(0028,3003)	3	Free form text explanation of the meaning of the LUT.
>LUT Data	(0028,3006)	1C	LUT Data in this Sequence. Required if the VOI LUT Sequence (0028,3010) is sent.
Window Center	(0028,1050)	3	Window Center for display. See C.11.2.1.4 2 for further explanation.
Window Width	(0028,1051)	1C	Window Width for display. See C.11.2.1.4 2 for further explanation. Required if Window Center (0028,1050) is sent.
Window Center & Width Explanation	(0028,1055)	3	Free form explanation of the meaning of the Window Center and Width. Multiple values correspond to multiple Window Center and Width values.

C.11.2.1 LUT Attribute Descriptions

C.11.2.1.1 LUT Descriptor

The three values of the LUT Descriptor (0028,3002) describe the format of the LUT Data in the corresponding Data Element (0028,3006).

The first value is the number of entries in the lookup table.

The second value is the first input value mapped. The Value Representation of the second value (US or SS) depends on the source of the input to the VOI LUT, and shall be:

- **the same as specified by Pixel Representation (0028,0103), if there is no Modality LUT or Rescale Slope and Intercept specified;**
- **SS if the possible output range after application of the Rescale Slope and Intercept may be signed;**

Note: This is always the case for the CT Image IOD in which the Rescale Type is specified to be Hounsfield Units, which are always signed.

- US otherwise.

This input value is mapped to the first entry in the LUT. All input values less than the first value mapped are also mapped to the first entry in the LUT Data. An input value one greater than the first value mapped is mapped to the second entry in the LUT Data. Subsequent input values are mapped to the subsequent entries in the LUT Data up to an input value equal to number of entries + first value mapped - 1 which is mapped to the last entry in the LUT Data. Input values greater than or equal to number of entries + first value mapped are also mapped to the last entry in the LUT Data.

The third value specifies the number of bits for each entry in the LUT Data. If the VOI LUT is included in an Image IOD, the third value of LUT Descriptor (0028,3002) shall be 8 or 16 bits, unless otherwise specialized. If the VOI LUT is included in a Presentation State IOD, the third value of LUT Descriptor (0028,3002) shall be between 8 and 16 inclusive. The LUT Data shall be stored in a format equivalent to 8 or 16 bits allocated where the high bit is equal to bits stored - 1, where bits stored is the third value.

The LUT Data contains the LUT entry values.

The output range is from 0 to 2^n-1 where n is the third value of LUT Descriptor. This range is always unsigned.

C.11.2.1.42 Window center and window width

Window Center (0028,1050) and Window Width (0028,1051) specify a linear conversion from stored pixel values (after any Modality LUT or Rescale Slope and Intercept specified in the IOD have been applied) to values to be displayed. Window Center contains the pixel input value that is the center of the window. Window Width contains the width of the window.

These Attributes select the range of input values such that:

$$(center - width/2) \leq value \leq (center + width/2)$$

where center is Window Center (0028,1050) and width is Window Width (0028,1051).

Values less than (center - width/2) shall be converted as if they were equal to (center - width/2). Values greater than (center + width/2) shall be converted as if they were equal to (center + width/2).

Notes: 1. For the purpose of this definition, a floating point calculation without integer truncation is assumed, though the manner of implementation may vary as long as the result is the same. For example:

$$center\ 2047\ and\ width\ 4095\ \rightarrow\ -0.5 \leq value \leq 4095.5$$

$$center\ 0\ and\ width\ 1\ \rightarrow\ -0.5 \leq value \leq 0.5$$

$$center\ 0\ and\ width\ 100\ \rightarrow\ -50 \leq value \leq 50$$

2. For example, a Window Center of 2047 and a Window Width of 4095 select the range of input values from 0 to 4095. This represents an identity VOI LUT transformation in the case where no Modality LUT is specified and the stored pixel data are 12 bit unsigned integers.

3. The application of Window Center (0028,1050) and Window Width (0028,1051) may select a signed input range. There is no implication that this signed input range is clipped to zero. The application of the VOI LUT Sequence (0028,3010) cannot select a signed input range, since the LUT Data (0028,3006) entries are always unsigned.

4. The selected input range may exceed the actual range of the input values, thus effectively “compressing” the contrast range of the displayed data into a narrower band of the available contrast range, and “flattening” the appearance.

5. The output of the Window Center/Width or VOI LUT transformation is either implicitly scaled to the full range of the display device if there is no succeeding transformation defined, or implicitly scaled to the full input range of the succeeding transformation step (such as the Presentation LUT), if present. See C.11.4.1.

These Attributes shall be used only for Images with Photometric Interpretation (0028,0004) values of MONOCHROME1 and MONOCHROME2. They have no meaning for other Images.

If multiple values are present, both Attributes shall have the same number of values and shall be considered as pairs. Multiple values indicate that multiple **viewing alternative views shall may** be presented. **No more than one set of values shall be present if the VOI LUT Module is part of a Presentation State IOD.**

~~This transformation of pixel values shall be applied after any Modality LUT.~~

If any VOI LUT Table is included or referenced by an Image, a Window Width and Window Center or the VOI LUT Table, but not both, ~~it shall may~~ be applied ~~to a pixel in the Image for display~~. Inclusion of both indicates that multiple **viewing alternative views** should be presented.

If multiple items are present in VOI LUT Sequence (0028,3010), only one may be applied. Multiple items indicate that multiple alternative views may be presented. No more than one Item or one pair of Window Center/Width values shall be present if the VOI LUT Module is part of a Presentation State IOD.

Note: If the VOI LUT Module is included in an Image IOD, then it may be useful to provide multiple alternative views, but if it is included in a Presentation State IOD, then multiple alternative views should be provided by different Presentation States.

Item: Add PS 3.3 C.11.4 Softcopy Presentation LUT

C.11.4 Softcopy Presentation LUT Module

Table C.11-4 specifies the Attributes that describe the Softcopy Presentation LUT.

Table C.11-4
SOFTCOPY PRESENTATION LUT MODULE ATTRIBUTES

Attribute name	Tag	Type	Description
Presentation LUT Sequence	(2050,0010)	1C	Defines a sequence of Presentation LUTs. Only a single item shall be included in this sequence. Required if Presentation LUT Shape (2050,0020) is absent.
>LUT Descriptor	(0028,3002)	1C	Specifies the format of the LUT Data in this Sequence. See C.11.4.1.1 for further explanation. Required if a Sequence Item is present.
>LUT Explanation	(0028,3003)	3	Free form text explanation of the meaning of the LUT.
>LUT Data	(0028,3006)	1C	LUT Data in this Sequence. Required if a Sequence Item is present.
Presentation LUT Shape	(2050,0020)	1C	Specifies predefined Presentation LUT transformation. Required if Presentation LUT Sequence (2050,0010) is absent. Enumerated Values : IDENTITY - no further translation necessary, input values are P-Values INVERSE - output values after inversion are P-Values See C.11.4.1.2.

Note: This Module differs from the Presentation LUT Module used in the hardcopy (print) related SOP Classes in that Optical Density is not supported for Presentation LUT Shape (since Optical Density has no meaning for softcopy display devices).

C.11.4.1 Softcopy Presentation LUT Attributes

When the Presentation LUT is specified as a Presentation LUT Sequence, then the input range of values is specified by the LUT Descriptor as the first value mapped and the number of entries (values mapped). However, there is an implicit linear scaling of the output range of the preceding transformation (such as the VOI LUT transformation) so that it is always mapped to the specified input range of the Presentation LUT.

When the Presentation LUT is specified as Presentation LUT Shape, then the input range is implicitly specified to be the output range of the preceding transformation (VOI LUT, or if the VOI LUT is identity or absent, the Modality LUT, or if the Modality LUT and VOI LUT are identity or absent, the stored pixel values). In this case, the full range of the output of the preceding transformation will be mapped to the full input range of the display device that receives the output of the Presentation LUT.

Note: The output of the preceding transformation may be signed. This does not mean that signed P-Values actually need to be generated, only that the output of the preceding transformation is to be interpreted by the display device as perceptually linear over the range from the minimum to the maximum values output by the preceding step, and that the minimum value be mapped to the lowest JND Index (and hence luminance) that the display can

generate, and the maximum value be mapped to the highest JND Index (and hence luminance) that the display can generate.

In other words, in both cases, the Presentation LUT Module is always implicitly specified to apply over the full range of output of the preceding transformation, and it never selects a subset or superset of the that range (unlike the VOI LUT).

The output bit precision of the VOI LUT Sequence is not required to match the input range of the Presentation LUT Sequence.

- Notes:
1. For example, if the VOI LUT is specified as a Window Center of 0 and a Window Width of 100, then the range from -50 to +50 is selected to be mapped to the full range of the display or print device (the full range of P-Values) if the Presentation LUT Shape is specified as IDENTITY or INVERSE. This example demonstrates the conventional understanding of the meaning of Window Center and Width to select “values of interest” that are to be displayed across the full range of the output device, without explicitly having to map each choice to P-Values.
 2. For example, if the VOI LUT is specified as a Window Center of 0 and a Window Width of 100, and the Presentation LUT Sequence is sent with a LUT Descriptor first value of 256 and second value of 0, then the range from -50 to +50 is implicitly linearly scaled from 0 to 255 before selecting values from the LUT Data in the Presentation LUT Sequence. This example demonstrates that it is not necessary to send a different Presentation LUT for different Window Center and Width values.
 3. For example, if the VOI LUT is specified as VOI LUT Sequence with a LUT Descriptor with a 3rd Value of 16, then the range from 0 to $2^{16}-1$ is selected to be mapped to the full range of the display or print device (the full range of P-Values) if the Presentation LUT Shape is specified as IDENTITY or INVERSE. This example demonstrates that a VOI LUT may be specified with the desired precision, without having to explicitly send a Presentation LUT to rescale that precision to whatever range of P-Values is preferred by the display application.
 4. For example, if the VOI LUT is specified as VOI LUT Sequence with a LUT Descriptor with a 3rd Value of 16, and the Presentation LUT Sequence is sent with a LUT Descriptor first value of 4096 and second value of 0, then the range from 0 to $2^{16}-1$ is implicitly linearly scaled to the range 0 to 4095 before selecting values from the LUT Data in the Presentation LUT Sequence. This example demonstrates the case where, to save space, the Presentation LUT is sent in a compact form that a display application may choose to interpolate more precisely, yet the VOI LUT output may be sent with 16 bit precision.

C.11.4.1.1 LUT Descriptor

The three values of the LUT Descriptor (0028,3002) describe the format of the LUT Data in the corresponding Data Element (0028,3006).

The first value is the number of entries in the lookup table.

The second value is the first implicitly scaled input value mapped, and shall always be 0. The Value Representation of the second value is always US.

This implicitly scaled input value is mapped to the first entry in the LUT. There are no implicitly scaled input values less than the first value mapped. An implicitly scaled input value one greater than the first value mapped is mapped to the second entry in the LUT Data. Subsequent implicitly scaled input values are mapped to the subsequent entries in the LUT Data up to an implicitly scaled input value equal to number of entries + first value mapped - 1 which is mapped to the last entry in the LUT Data. There are no implicitly scaled input values greater than number of entries + first value mapped.

The third value specifies the number of bits for each entry in the LUT Data. The third value of the LUT Descriptor (0028,3002) shall be between 8 and 16 inclusive. The LUT Data shall be stored in

a format equivalent to 8 or 16 bits allocated where the high bit is equal to bits stored - 1, where bits stored is the third value.

The LUT Data contains the LUT entry values, which are P-Values.

The output range is from 0 to 2^n-1 where n is the third value of LUT Descriptor. This range is always unsigned.

This range specifies the output range of the P-Values.

C.11.4.1.2 Presentation LUT Shape

A value of INVERSE shall mean the same as a value of IDENTITY, except that the minimum output value shall convey the meaning of the maximum available luminance, and the maximum value shall convey the minimum available luminance. In other words:

$$\text{P-Value} = \text{maximum value} - \text{output value}$$

<i>Item: Add PS 3.3 C.11.6 Overlay/Curve Activation Module</i>
--

C.11.6 Overlay/Curve Activation Module

This Module defines a manner of controlling whether or not bit-mapped overlay and curve information are displayed.

In the case of Curves, these Curves are contained within the referenced image(s).

Note: Curves may not be present within the Presentation State, since the same function is served by the Graphic Annotation Module which provides additional features.

In the case of Overlays, if the corresponding Overlay Group activated is present within the Presentation State, then that Overlay shall be activated and any corresponding Overlay in the referenced image(s) ignored, otherwise the Overlay within the referenced image(s) shall be activated.

An Overlay Group referenced in the Bitmap Display Shutter Module described in C.7.6.14 shall not be activated using the Overlay/Curve Activation Module.

Table C.11-x specifies the Attributes that describe the Overlay/Curve Activation Module.

**Table C.11-x
OVERLAY/CURVE ACTIVATION MODULE ATTRIBUTES**

Attribute Name	Tag	Type	Attribute Description
Overlay Activation Layer	(60xx,1001)	2C	The layer (defined in Graphic Layer (0070,0061) of the Graphic Layer Module C.10.6) in which the Overlay described in group 60xx is to be displayed. If no layer is specified (zero length) then the overlay shall not be displayed. Required if Group 60xx is present in the referenced image(s) or the Presentation State instance containing this Module.
Curve Activation Layer	(50xx,1001)	2C	The layer (defined in Graphic Layer (0070,0061) of the Graphic Layer Module C.10.6) in which the Curve described in group 50xx is to be displayed. If no layer is specified (zero length) then the curve shall not be displayed. Required if Group 50xx is present in the referenced image(s) and Type of Data (50xx,0020) is POLY or ROI. Note: Curves with other types of data are not expected to be displayed.

Note: Those bits which are stored in Pixel data (7FE0,0010) above High Bit(0028,0102) may be used as overlay bit planes if they are referenced by an Overlay Bit Position (60xx,0102). If they are not so referenced, their contents are unspecified in DICOM and should not be displayed. Usually they will be zero, though if the pixel data is signed, i.e. Pixel Representation (0028,0103) is 0001H, then it is possible that the sign bit may be "extended" through these values. Alternatively, they may have been "masked off" even if the value is signed and negative.

Item: Add to PS 3.3 new Section C.12.2

C.12.2 Presentation Series Module

Table C.12-5 contains Attributes that identify and describe a Presentation Series.

**Table C.12-5
PRESENTATION SERIES MODULE ATTRIBUTES**

Attribute Name	Tag	Type	Attribute Description
Modality	(0008,0060)	1	Type of equipment that originally acquired the data. Enumerated Value: PR = Presentation State See C.7.3.1.1.1.

Item: Add to PS 3.3 new Section C.12.3

C.12.3 Presentation State Module

Table C.12-6 contains Attributes that identify and describe a Presentation State.

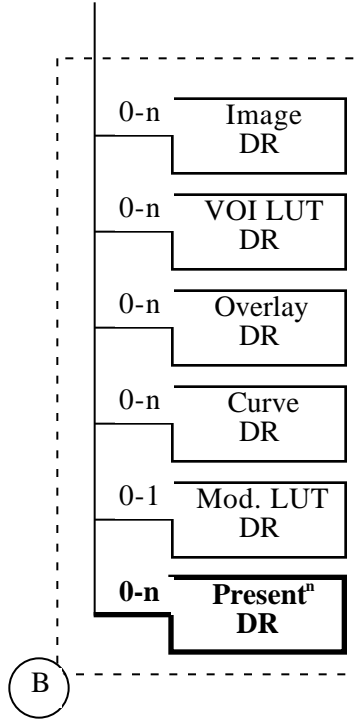
**Table C.12-6
PRESENTATION STATE MODULE ATTRIBUTES**

Attribute Name	Tag	Type	Attribute Description
Instance Number	(0020,0013)	1	A number that identifies this presentation (SOP Instance). Note: In previous versions of the Standard this Attribute was referred to as Image Number.
Presentation Label	(0070,0080)	1	A label that is used to identify this presentation. Note: This value may be used by an application as a Defined Term in order to imply some grouping of different presentation states, i.e. it may have the same value for different presentation state instances that share some common concept.
Presentation Description	(0070,0081)	2	A description of this presentation.
Presentation Creation Date	(0070,0082)	1	Date on which this presentation was created. Note: This date may be different from the date that the DICOM SOP Instance was created, since the presentation state information contained may have been recorded earlier.
Presentation Creation Time	(0070,0083)	1	Time at which this presentation was created. Note: This time may be different from the time that the DICOM SOP Instance was created, since the presentation state information contained may have been recorded earlier.
Presentation Creator's Name	(0070,0084)	2	Name of operator saving the presentation state (such as a technologist or physician).
Referenced Series Sequence	(0008,1115)	1	Sequence of Repeating Items where each Item includes the Attributes of one or more Series.
>Series Instance UID	(0020,000E)	1C	Unique identifier of a Series that is part of this Study. Required if sequence item is present.

>Referenced Image Sequence	(0008,1140)	1C	Sequence of Repeating Items where each Item provides reference to a selected set of Image SOP Class/SOP Instance pairs that are part of this Study and the Series defined by Series Instance UID (0020,000E). Required if a sequence item is present.
>>Referenced SOP Class UID	(0008,1150)	1C	Uniquely identifies the referenced SOP Class. Required if sequence item is present. Shall be the same for all Images referenced by this presentation state.
>>Reference SOP Instance UID	(0008,1155)	1C	Uniquely identifies the referenced SOP Instance. Required if sequence item is present.
>>Referenced Frame Number	(0008,1160)	1C	Identifies the frame numbers within the referenced SOP Instance to which the presentation applies. Required if sequence item is present and the referenced SOP Instance is a multi-frame image and the presentation does not apply to all frames.
Shutter Presentation Value	(0018,1622)	1C	The value used to replace those parts of the image occluded by the shutter, in P-Values. Required if the Display Shutter Module or Bitmap Display Shutter Module is present. Note: The requirement in this module is type 1C which overrides the type 3 in the Display Shutter Module.
Mask Subtraction Sequence	(0028,6100)	1C	Required if Mask Module is present. See C.7.6.10 for a complete definition of the Attributes in the Items of this Sequence other than Mask Operation(0028,6101). Note: This Sequence is replicated here only in order to specify additional conditions on Mask Operation (0028,6101).
>Mask Operation	(0028,6101)	1	Type of mask operation to be performed Enumerated Values: AVG_SUB TID See C.7.6.10.1 for further explanation. Note: The requirement in this module is for Enumerated Values which override the requirements of the Mask Module.

Recommended Viewing Mode	(0028,1090)	1C	<p>Specifies the recommended viewing protocol(s).</p> <p>Enumerated Values:</p> <p>SUB = for subtraction with mask images; NAT = native viewing of image as sent.</p> <p>Required if Mask Module is present.</p> <p>Note: The requirement in this module is type 1C and Enumerated Values are specified which override the requirements of the Mask Module.</p>
--------------------------	-------------	----	---

Item: Modify Figure F.4.1 to include the Presentation State media storage feature by adding "Presentation DR" under the Series DR.



Item: Modify Table F.3-3 in section F.3.2.2 to include "PRESENTATION" in the Directory Record Type item of the Directory Record sequence.

<p>>Directory Record Type</p>	<p>(0004,1430)</p>	<p>1C</p>	<p>Defines a specialized type of Directory Record by reference to its position in the Media Storage Directory Information Model (see Section F.4).</p> <p>Required if the Directory Record Sequence (0004,1220) is not zero length.</p> <p>Enumerated Values (see Section F.5): PATIENT STUDY SERIES IMAGE OVERLAY MODALITY LUT VOI LUT CURVE TOPIC VISIT RESULTS INTERPRETATION STUDY COMPONENT STORED PRINT PRESENTATION</p> <p>PRIVATE = Privately defined record hierarchy position. Type shall be defined by Private Record UID (0004,1432).</p> <p>MRDR = Special Directory Record which allows indirect reference to a File by multiple Directory Records. Instead of directly referencing a File by its Referenced File ID (0004,1500), a Directory Record of any of the Types define above (except MRDR) may reference a Multi-Referenced File Directory Record which in turn will reference the File by its File ID.</p>
----------------------------------	--------------------	-----------	--

Modify Table F.4-1 to include PRESENTATION.

**Table F.4-1
RELATIONSHIP BETWEEN DIRECTORY RECORDS**

Directory Record Type	Section	Directory Record Types which may be included in the next lower-level directory Entity
(Root Directory Entity)		PATIENT, TOPIC, PRIVATE
PATIENT	F.5.1	STUDY, PRIVATE
STUDY	F.5.2	SERIES, VISIT, RESULTS, STUDY COMPONENT, PRIVATE
SERIES	F.5.3	IMAGE, OVERLAY, MODALITY LUT, VOI LUT, CURVE, STORED PRINT, PRESENTATION , PRIVATE
IMAGE	F.5.4	PRIVATE
OVERLAY	F.5.5	PRIVATE
MODALITY LUT	F.5.6	PRIVATE
VOI LUT	F.5.7	PRIVATE

CURVE	F.5.8	PRIVATE
STORED PRINT	F.5.18	PRIVATE
PRESENTATION	F.5.19	PRIVATE
TOPIC	F.5.9	STUDY, SERIES, IMAGE, OVERLAY, MODALITY LUT, VOI LUT, CURVE, STORED PRINT, PRESENTATION , PRIVATE.
VISIT	F.5.10	PRIVATE
RESULTS	F.5.11	INTERPRETATION, PRIVATE
INTERPRETATION	F.5.12	PRIVATE
STUDY COMPONENT	F.5.13	PRIVATE
PRIVATE	F.6.1	PRIVATE, (any of the above as privately defined)
MRDR	F.6.2	(Not applicable)

Add section F.5.19: Presentation State Directory Record Definition

F.5.19 Presentation State Directory Record Definition

The Directory Record is based on the specification of Section F.3. It is identified by a Directory Record Type of Value "PRESENTATION". Table F.5-19 lists the set of keys with their associated Types for such a Directory Record Type. The description of these keys may be found in the Modules related to Grayscale Softcopy Presentation State Storage IODs. This Directory Record shall be used to reference a Grayscale Softcopy Presentation State Storage SOP Instance. This Type of Directory Record may reference a Lower-Level Directory Entity which includes one or more Directory Records as defined in Table F.4-2.

**Table F.5-19
PRESENTATION KEYS**

Key	Tag	Type	Attribute Description
Specific Character Set	(0008,0005)	1C	Required if an extended or replacement character set is used in one of the keys.
Instance Number	(0020,0013)	1	A number that identifies this presentation state.
Presentation Label	(0070,0080)	1	A label that is used to identify this presentation.
Presentation Description	(0070,0081)	2	A description of this presentation.
Presentation Creation Date	(0070,0082)	1	Date on which this presentation was created. Note: This date may be different from the date that the DICOM SOP Instance was created, since the presentation state information contained may have been recorded earlier.
Presentation Creation Time	(0070,0083)	1	Time at which this presentation was created. Note: This time may be different from the time that the DICOM SOP Instance was created, since the presentation state information contained may have been recorded earlier.

Presentation Creator's Name	(0070,0084)	2	Name of operator saving the presentation state (such as a technologist or physician).
Any other Attribute of the Presentation IE Modules		3	

Note: Because (0004,1511) Referenced SOP Instance UID in File may be used as a "pseudo" Directory Record Key (See Table F.3-3), it is not duplicated in this list of keys.

Changes to:

NEMA Standards Publication PS 3.4-1996

*Digital Imaging and Communications in Medicine (DICOM)
Part 4: Service Class Specifications*

Annex B STORAGE SERVICE CLASS (Normative)

Item: Add to PS 3.4 B.5

B.5 STANDARD SOP CLASSES

The SOP Classes in the Storage Service Class identify the Composite IODs to be stored. Table B.5-1 identifies Standard SOP Classes.

**Table B.5-1
STANDARD SOP CLASSES**

SOP Class Name	SOP Class UID	IOD Specification
...		
<u>Grayscale Softcopy Presentation State Storage</u>	<u>1.2.840.10008.5.1.4.1.1.11.1</u>	<u>Grayscale Softcopy Presentation State Storage</u>

Item: Add to PS 3.4 I.5

I.4 MEDIA STORAGE STANDARD SOP CLASSES

The SOP Classes in the Media Storage Service Class identify the Composite and Normalized IODs to be stored. Table I.4-1 identifies Standard SOP Classes.

**Table I.4--1
MEDIA STORAGE STANDARD SOP CLASSES**

SOP Class Name	SOP Class UID	IOD Specification
...		
<u>Grayscale Softcopy Presentation State Storage</u>	<u>1.2.840.10008.5.1.4.1.1.11.1</u>	<u>Grayscale Softcopy Presentation State Storage</u>

Item: Add Annex X to PS 3.4

Annex X SOFTCOPY PRESENTATION STATE STORAGE SOP CLASS (Normative)

X.1. OVERVIEW

X.1.1 SCOPE

The Grayscale Softcopy Presentation State Storage SOP Class extends the functionality of the Storage Service class (defined in Annex B) to add the ability to convey an intended presentation state or record an existing presentation state. In this context, the softcopy presentation state refers to the grayscale image transformations that are to be applied in an explicitly defined manner to convert the stored image pixel data values in a Composite Image Storage Instance to presentation values (P-Values) when an image is displayed on a softcopy device. The P-Values are in a device independent perceptually linear space that is formally defined in PS 3.14 Grayscale Standard Display Function.

Additional transformations, including annotation, shutter and spatial transformation are also defined.

The Grayscale Softcopy Presentation State Storage SOP Class may be used to store a single state per image, or a common state to be shared by multiple selected images. All images to which the state applies must be a part of the same study that the stored state is a part of, and be of the same Composite Image Storage SOP Class.

How an SCU of this SOP Class records or generates this state is beyond the scope of the standard.

Note: For example, an acquisition device may acquire, reconstruct and store to a workstation or archive images that are later examined by an operator for the purpose of quality assurance or printing. At that time a selected grayscale transformation (such as a window level/width operation) may be applied by the operator, and that activity captured and saved as a Grayscale Softcopy Presentation State Storage SOP Instance to the same workstation or archive, from which it is subsequently available for use by another user. Another workstation may retrieve the state for later use. Alternatively, an automated algorithm may derive a state from analysis of image statistics, body part examined, or other characteristics.

How an SCP of this SOP Class chooses between multiple states that may apply to an image is beyond the scope of this standard, other than to state that a claim of conformance as an SCP of this SOP Class implies that the SCP shall make the presentation state available to the user of the device, and if selected by the user, shall apply all the transformations stored in the state in the manner in which they are defined in the standard.

Notes:

1. For example, an acquisition device may automatically store appropriate presentation states for series of images as they are reconstructed that represent adequate defaults. A user or algorithm may subsequently determine a more appropriate presentation state that more effectively displays the contents of an image, or record some annotation related directly to the image, and record that as another presentation state for an image. An application subsequently may display the image by automatically choosing to use the more recently saved or more specific presentation state, or may use the more general default presentation state for all images but notify the user that alternative presentation states are available.
2. Choice of the same presentation state to display an image on two devices claiming conformance to these SOP Classes implies through the definition of the P-Value space that the displayed image on both

devices will be perceptually similar within the limits defined in PS 3.14 Grayscale Standard Display Function, regardless of the actual capabilities of the display systems.

X.2 GRAYSCALE TRANSFORMATION SEQUENCE

The Grayscale Softcopy Presentation State Storage SOP Class supports a sequence of grayscale transformations that completely define the conversion of a stored image into a displayed image.

The sequence of grayscale transformations from stored pixel values into the Grayscale Standard Display Function P-Values is explicitly defined in a conceptual model. The actual sequence implemented may differ but must result in the same appearance. Figure X.2-1 describes this sequence of grayscale transformations.

- Notes:
1. Even though a Composite Image Storage object IOD may not include some modules that are part of the described grayscale transformations, the Grayscale Softcopy Presentation State Storage IODs do include them. For example, the CT Image Storage IOD includes Rescale Slope and Intercept in the CT Image Module, but does not include the Modality LUT Module, and hence is restricted to the description of linear transformations. A saved presentation state that refers to a CT Image Storage SOP Instance may include a Modality LUT, and hence may apply a non-linear transformation. This is a feature of the extended functionality of the Grayscale Softcopy Presentation State Storage SOP Class.
 2. For the shutter, annotation and spatial transformations, the order in which they are applied relative to the other transformations should not result in a different appearance. The one exception is when a spatial transformation is applied that involves magnification implemented with interpolation. In this case, whether the interpolation is performed before or after the contrast transformations (such as VOI LUT) may result in a slightly different appearance. It is not considered necessary to constrain this sequence more precisely.

The grayscale transformations defined in the Grayscale Softcopy Presentation State Storage SOP Class replace those that may be defined in the Referenced Image SOP Instance. If a particular transformation is absent in the Grayscale Softcopy Presentation State Storage SOP Class, then it shall be assumed to be an identity transformation, and any equivalent transformation, if present, in the Referenced Image SOP Instance shall NOT be used instead.

Photometric Interpretation (0028,0004) in the Referenced Image SOP Instance shall be ignored, since its effect is defined by the application of the grayscale transformations.

- Note: These requirements are in order to achieve complete definition of the entire grayscale transformation in the Grayscale Softcopy Presentation State Storage SOP Class, and not to depend on the content of the Referenced Image SOP Instance, which may change.

The Referenced Image Storage SOP Instance may also contain bit-mapped overlays and curves. The Grayscale Softcopy Presentation State Storage SOP Class specifies a mechanism for turning these on or off (i.e. displaying them or not).

The presentation related Attributes of the Grayscale Softcopy Presentation State Storage SOP Class are immutable. They shall never be modified or updated; only a derived SOP Instance with a new SOP Instance UID may be created to represent a different presentation.

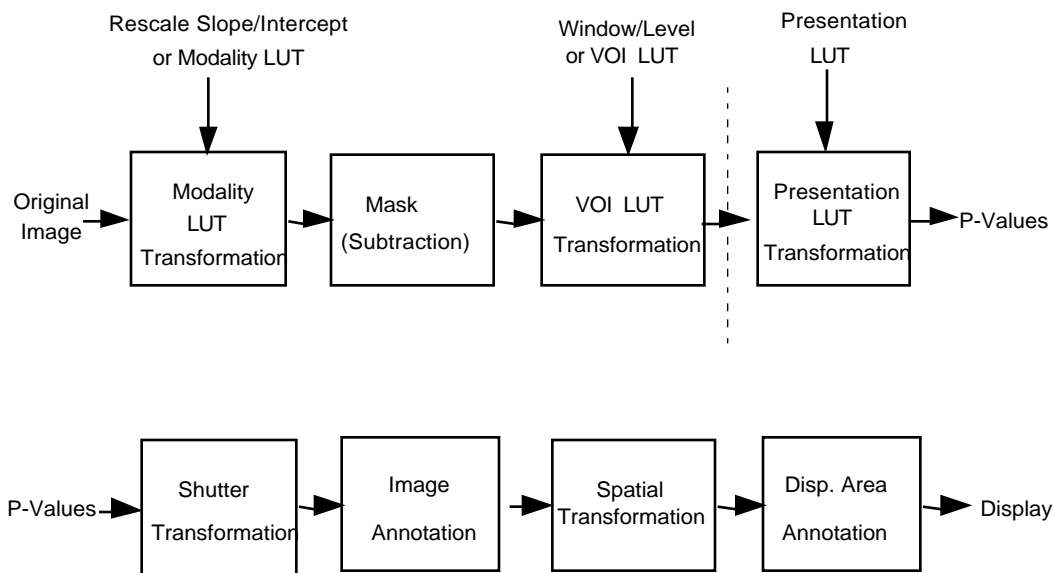


Figure X.2-1
Grayscale Image Transformation Model

X.2.1 Modality LUT

The Modality LUT transformation transforms the manufacturer dependent pixel values into pixel values which are meaningful for the modality and which are manufacturer independent (e.g., Hounsfield number for CT modalities, Optical Density for film digitizers). These may represent physical units or be dimensionless. The Modality LUT in the presentation state IOD is modality dependent and is analogous to the same module in an Image IOD.

Note: In some cases, such as the CT Image IOD, the same conceptual step as the Modality LUT is specified in another form, for example as Rescale Slope and Rescale Intercept Attributes in the CT Image Module, though the Modality LUT Module is not part of the CT Image IOD.

In the case of a linear transformation, the Modality LUT is described by the Rescale Slope (0028,1053) and Rescale Intercept (0028,1052). In the case of a non-linear transformation, the Modality LUT is described by the Modality LUT Sequence. The rules for application of the Modality LUT are defined in PS 3.3 Modality LUT Module.

If the Modality LUT or equivalent Attributes are part of both the Image IOD and the Grayscale Softcopy Presentation State Storage IOD then the Grayscale Softcopy Presentation State Storage IOD Modality LUT shall be used instead of the Image Modality LUT or equivalent Attributes in the Image IOD. If the Modality LUT is not present in the Grayscale Softcopy Presentation State Storage IOD it shall be assumed to be an identity transformation. Any Modality LUT or equivalent Attributes in the Image IOD shall not be used.

X.2.2 Mask

The mask transformation may be applied in the case of multi-frame images for which other frames at a fixed frame position or time interval relative to the current frame may be subtracted from the current frame. Multiple mask frames may be averaged, and sub-pixel shifted before subtraction.

This transformation uses the Mask Module as used in the X-Ray Angiography IOD, though it may be applied to any Image Storage SOP Instance that contains a multi-frame image.

In the case of X-Ray images, the subtraction is specified to take place in a space logarithmic to X-Ray intensity. If the stored pixel values are not already in such a space, an implementation defined transformation to such a space must be performed prior to subtraction. If a Modality LUT Module is present as well as a Mask Module, then the Modality LUT shall specify a transformation into such a logarithmic space, otherwise it shall not be present (even though a Modality LUT may be present in the referenced image(s) which shall be ignored).

The result will be a signed value with a bit length one longer than the source frames.

When there is no difference between corresponding pixel values, the subtracted image pixel will have a value of 0.

If a pixel in the current frame has a greater value than in the mask frame, then the resulting frame shall have a positive value. If it has a lesser value, then the resulting frame shall have a negative value.

X.2.3 VOI LUT

The value of interest (VOI) LUT transformation transforms the modality pixel values into pixel values which are meaningful for the user or the application.

Note: Photometric Interpretation (0028,0004) is ignored, since its effect is defined by the application of the grayscale transformations.

The VOI LUT in the presentation state IOD is analogous to the same module in an Image IOD.

In the case of a linear transformation, the VOI LUT is described by the Window Center (0028,1050) and Window Width (0028,1051). In the case of a non-linear transformation, the VOI LUT is described by the VOI LUT Sequence. The rules for application of the VOI LUT are defined in PS 3.3 VOI LUT Module.

The VOI LUT may have sections with negative slope.

Note: In the Basic Print Service Class a VOI LUT may not have negative slope.

If the VOI LUT is part of both the Image IOD and the Grayscale Softcopy Presentation State Storage IOD then the Grayscale Softcopy Presentation State Storage IOD VOI LUT shall be used instead of the Image VOI LUT. If the VOI LUT is not present in the Grayscale Softcopy Presentation State Storage IOD it shall be assumed to be an identity transformation. Any VOI LUT or equivalent values in the Image IOD shall not be used.

X.2.4 Presentation LUT

The Presentation LUT transformation transforms the pixel values into P-Values, a device independent perceptually linear space as defined in PS 3.14 Grayscale Display Function Standard. It may be an identity function if the output of the VOI LUT transformation is in P-Values.

Note: If the Presentation LUT and VOI LUT step are identity transformations, and the Mask Module is absent, then the output of the Modality LUT must be, by definition, P-Values.

No output space other than P-Values is defined for the Grayscale Softcopy Presentation State Storage SOP Classes.

In the case of a linear transformation, the Presentation LUT is described by the Presentation LUT Shape (2050,0020). In the case of a non-linear transformation, the Presentation LUT is described by the Presentation LUT Sequence. The rules for application of the Presentation LUT are defined in PS 3.3 Softcopy Presentation LUT Module.

- Notes:
1. Since the grayscale transformation pipeline fully defines all transformations applied to the stored pixel values in the referenced image object, the value of Photometric Interpretation (0028,0004) in the referenced image object is ignored and overridden. This implies that either the creator of the presentation state chose a pipeline that reflects the Photometric Interpretation (0028,0004), or chose to ignore or override the Photometric Interpretation, and invert the image relative to what is specified by Photometric Interpretation. If the Modality LUT and VOI LUT do not have a negative slope, one can achieve the effect of inversion of the polarity of an image by choosing Presentation LUT Shape of IDENTITY or INVERSE that displays the minimum pixel value as white rather than black in the case of a Photometric Interpretation of MONOCHROME2, or black rather than white in the case of a Photometric Interpretation of MONOCHROME1. If Presentation LUT Data is sent, then one can invert the order of the entries in the LUT table to achieve inversion of polarity.
 2. The minimum P-Value (zero) always commands that the lowest intensity be displayed.
 3. No separate Polarity transformation is defined.

A Softcopy Presentation LUT Module is always present in a Grayscale Softcopy Presentation State Storage IOD. If a Presentation LUT is present in the Image IOD then the Grayscale Softcopy Presentation State Storage IOD Presentation LUT shall be used instead of the Image Presentation LUT.

X.2.5 Shutter

The Shutter transformation provides the ability to exclude the perimeter outside a region of an image. A gray level may be specified to replace the area under the shutter.

One form of this transformation uses the Display Shutter Module as used in the X-Ray Angiography IOD, though it may be applied to any Image Storage SOP Instance, including single frame images.

Another form uses a bit-mapped overlay to indicate arbitrary areas of the image that should be excluded from display by replacement with a specified gray level, as described in the Bitmap Display Shutter Module.

- Notes:
1. Since annotations follow the shutter operation in the pipeline, annotations in shuttered regions are not obscured and are visible.
 2. Any shutter present in the referenced image object is ignored (ie. not applied).

X.2.6 Pre-Spatial Transformation Annotation

The Pre-Spatial Transformation Annotation transformation includes the application of bit-mapped overlays as defined in the Overlay Module, and free unformatted text or vector graphics as described in the Graphic Annotation Module that are defined in the image pixel space (as opposed to the displayed area space).

X.2.7 Spatial Transformation

Some modalities may not deliver the image in the desired rotation and need to specify a rotation into the desired position for presentation. This transformation includes a rotation of 90, 180, 270 degrees clockwise followed by a horizontal flip (L <--> R). Rotation by an arbitrary angle is not supported.

In addition, selection of a region of the image pixel space to be displayed is specified. This may have the effect of magnifying (or minifying) that region depending on what physical size the display renders the selected region. If so, the method of interpolation (or sub-sampling) is implementation dependent.

- Notes:
1. In particular the number of displayed pixels may be different from the number of image data array elements as a result of:
 - minification (e.g. 1 display pixel for 4 image array data elements),
 - magnification (4 display pixels for each data element) ,
 - interpolation (pixels derived from values other than those in the image data array), and
 - sub-sampling.
 2. Region selection is not a spatial transformation as such, but is specified in the same Module.

X.2.8 Post-Spatial Transformation Annotation

The Post-Spatial Transformation Annotation transformation includes the application of free unformatted text or vector graphics as described in the Graphic Annotation Module that are defined in the displayed area space (as opposed to the image pixel space).

This implies that the displayed area space is defined as being the image after all Spatial Transformations have been applied.

These annotations are rendered in the displayed space, though they may be anchored to points in either the displayed area or image pixel space.

X.3 BEHAVIOR OF AN SCP

In addition to the behavior for the Storage Service Class specified in B.2.2 Behavior of an SCP, the following additional requirements are specified for the Grayscale Softcopy Presentation State Storage SOP Class:

- a display device acting as an SCP of this SOP Class shall make all mandatory presentation attributes available for application to the referenced images at the discretion of the display device user, for all Image Storage SOP Classes defined in the Conformance Statement to support both the Grayscale Softcopy Presentation State Storage SOP Class.

X.4 CONFORMANCE

In addition to the Conformance Statement requirements for the Storage Service Class specified in B.4.3, the following additional requirements are specified for the Grayscale Softcopy Presentation State Storage SOP Class:

X.4.1 Conformance Statement for An SCU

The following issues shall be documented in the Conformance Statement of any implementation claiming conformance to the Grayscale Softcopy Presentation State Storage SOP Class as an SCU:

- For an SCU of a Grayscale Softcopy Presentation State Storage SOP Class that is creating a SOP Instance of the Class, the manner in which presentation related attributes are derived from a displayed image, operator intervention or defaults, and how they are included in the IOD.
- For an SCU of a Grayscale Softcopy Presentation State Storage SOP Class, the Image Storage SOP Classes that are also supported by the SCU and which may be referenced by instances of the Grayscale Softcopy Presentation State Storage SOP Class.

X.4.2 Conformance Statement for An SCP

The following issues shall be documented in the Conformance Statement of any implementation claiming conformance to the Grayscale Softcopy Presentation State Storage SOP Class as an SCP:

- For an SCP of a Grayscale Softcopy Presentation State Storage SOP Class that is displaying an image referred to by a SOP Instance of the Class, the manner in which presentation related attributes are used to influence the display of an image.
- For an SCP of a Grayscale Softcopy Presentation State Storage SOP Class, the Image Storage SOP Classes that are also supported by the SCP and which may be referenced by instances of the Grayscale Softcopy Presentation State Storage SOP Class.

Digital Imaging and Communications in Medicine

PART 6 Addendum

Grayscale Softcopy Presentation State Data Dictionary

Part 6 Addendum : Grayscale Softcopy Presentation State Data Dictionary

Section 6 : Amend the following entries in the table as indicated:

Tag	Name	VR	VM
(0008,1160)	Referenced Frame Number	IS	1-n

Section 6 : Append the following entries to the table:

Tag	Name	VR	VM
(0018,1622)	Shutter Presentation Value	US	1
<u>(0018,1623)</u>	<u>Shutter Overlay Group</u>	<u>US</u>	<u>1</u>
(50xx,1001)	Curve Activation Layer	CS	1
(60xx,1001)	Overlay Activation Layer	CS	1
(0070,0001)	Graphic Annotation Sequence	SQ	1
(0070,0002)	Graphic Layer	CS	1
(0070,0003)	Bounding Box Annotation Units	CS	1
(0070,0004)	Anchor Point Annotation Units	CS	1
(0070,0005)	Graphic Annotation Units	CS	1
(0070,0006)	Unformatted Text Value	ST	1
(0070,0008)	Text Object Sequence	SQ	1
(0070,0009)	Graphic Object Sequence	SQ	1
(0070,0010)	Bounding Box TLHC	FL	2
(0070,0011)	Bounding Box BRHC	FL	2
(0070,0014)	Anchor Point	FL	2
(0070,0015)	Anchor Point Visibility	CS	1
(0070,0020)	Graphic Dimensions	US	1
(0070,0021)	Number of Graphic Points	US	1
(0070,0022)	Graphic Data	FL	2-n

(0070,0023)	Graphic Type	CS	1
(0070,0024)	Graphic Filled	CS	1
(0070,0040)	Image Rotation	IS	1
(0070,0041)	Image Horizontal Flip	CS	1
(0070,0050)	Displayed Area TLHC	US	2
(0070,0051)	Displayed Area BRHC	US	2
(0070,0060)	Graphic Layer Sequence	SQ	1
(0070,0061)	Graphic Layer	CS	1
(0070,0062)	Graphic Layer Order	IS	1
(0070,0066)	Graphic Layer Recommended Display Value	US	1 or 3
(0070,0068)	Graphic Layer Description	LO	1
(0070,0080)	Presentation Label	CS	1
(0070,0081)	Presentation Description	LO	1
(0070,0082)	Presentation Creation Date	DA	1
(0070,0083)	Presentation Creation Time	TM	1
(0070,0084)	Presentation Creator's Name	PN	1

Annex A : append the following entries to the table

UID Value	UID Name	UID Type	Part
<u>1.2.840.10008.5.1.4.1.1.11.1</u>	<u>Grayscale Softcopy Presentation State Storage SOP Class</u>	<u>SOP Class</u>	<u>Part 4</u>

Index of Attribute Tags and UIDs

(0004,1220).....	36
(0004,1432).....	36
(0004,1500).....	36
(0004,1511).....	38
(0008,0005).....	15, 16, 37
(0008,0060).....	7, 31
(0008,1115).....	32
(0008,1140).....	33
(0008,1150).....	33
(0008,1155).....	33
(0008,1160).....	14, 33, 49
(0018,1500).....	10
(0018,1600).....	10, 12
(0018,1602).....	10
(0018,1604).....	10
(0018,1606).....	10
(0018,1608).....	10
(0018,1610).....	10
(0018,1612).....	10
(0018,1620).....	10
(0018,1622)	9, 11, 12, 33, 49
(0018,1623).....	12
(0020,000E).....	32, 33
(0020,0013).....	32, 37
(0028,0004).....	27, 42, 44, 45
(0028,0010).....	11

(0028,0011).....	11
(0028,0034).....	12
(0028,0102).....	31
(0028,0103)	24, 25, 31
(0028,1050).....	25, 26, 27, 44
(0028,1051).....	25, 26, 27, 44
(0028,1052).....	23, 43
(0028,1053).....	23, 43
(0028,1054).....	23
(0028,1055).....	25
(0028,1090).....	8, 34
(0028,3000).....	23
(0028,3002).....	23, 25, 26, 28, 29
(0028,3003).....	23, 25, 28
(0028,3004).....	23
(0028,3006).....	23, 25, 27, 28, 29
(0028,3010).....	25, 27
(0028,6100).....	7, 9, 33
(0028,6101).....	7, 8, 33
(0028,6102).....	8, 9
(0028,6110).....	8, 9
(0028,6112).....	8, 9
(0028,6114).....	8, 9
(0028,6120).....	8, 9
(0028,6190).....	8
(0070,0001).....	14, 49
(0070,0002).....	14, 49
(0070,0003).....	15, 16, 17, 49
(0070,0004).....	15, 16, 49

Supplement 33: Grayscale Softcopy Presentation State Storage
Page 53

(0070,0005).....	17, 19, 49
(0070,0006).....	15, 16, 49
(0070,0008).....	14, 17, 49
(0070,0009).....	14, 17, 49
(0070,0010).....	15, 16, 49
(0070,0011).....	15, 16, 49
(0070,0014).....	15, 16, 17, 18, 49
(0070,0015).....	17, 18, 49
(0070,0020).....	17, 49
(0070,0021).....	17, 49
(0070,0022).....	17, 18, 19, 49
(0070,0023).....	17, 18, 19, 49
(0070,0024).....	18, 19, 50
(0070,0040).....	21, 50
(0070,0041).....	21, 50
(0070,0050).....	13, 50
(0070,0051).....	13, 50
(0070,0060).....	22, 50
(0070,0061).....	22, 31, 50
(0070,0062).....	21, 22, 50
(0070,0066).....	22, 50
(0070,0068).....	22, 50
(0070,0080).....	32, 37, 50
(0070,0081).....	32, 37, 50
(0070,0082).....	32, 37, 50
(0070,0083).....	32, 37, 50
(0070,0084).....	32, 38, 50
(2050,0010).....	28
(2050,0020).....	28, 45

(50xx,1001).....	31, 49
(60xx,0010).....	11
(60xx,0011).....	11
(60xx,0040).....	11
(60xx,0050).....	11
(60xx,0100).....	11
(60xx,0102).....	11, 31
(60xx,1001).....	31, 49
(60xx,3000).....	11
(7FE0,0010).....	31
<u>1.2.840.10008.5.1.4.1.1.11.1</u>	40, 50